

Diverter valve  
Six ways – Closed center  
DDF6



**USE AND OPERATION:**

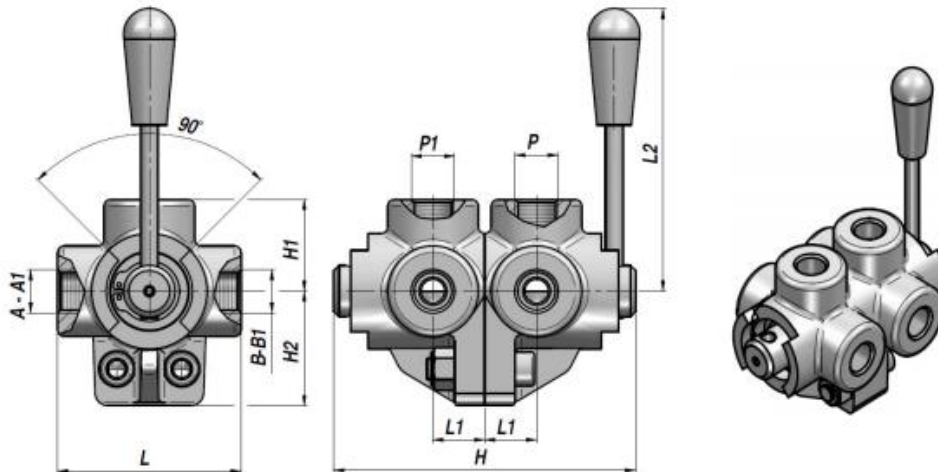
This valve is made up of two 3-way diverters coupled: each of the 2 parts are used to divert the inlet flow towards two ports. The single lever controls both the parts at the same time. It is ideal to control 2 actuators.

**MATERIALS AND FEATURES:**

Body: cast iron  
Internal parts: hardened and ground steel  
Seals: BUNA N standard  
Tightness: minor leakage

**APPLICATIONS:**

Connect P and P' to the 2 pressure flows, Ports A and B to the first actuator and ports A' and B' to the second actuator. With lever in position 1, P is connected to A and P' to A'; with lever in position 2, P is connected to B and P' to B'. With lever in central position all ports are closed. (Closed center)



Type	P A - B BSP	P1 A1 - B1 BSP	Q Max. L/min.	P Max. Bar	L mm	L1 mm	L2 mm	H mm	H1 mm	H2 mm	Weight kg
DDF6 3/8"	3/8"	3/8"	60	315	73	21	135	124	36,5	42	1,50
DDF6 1/2"	1/2"	1/2"	90	280	85	24	130	140	42,5	53	2,30
DDF6 3/4"	3/4"	3/4"	120	250	91	28	130	160	45,5	56	3,50