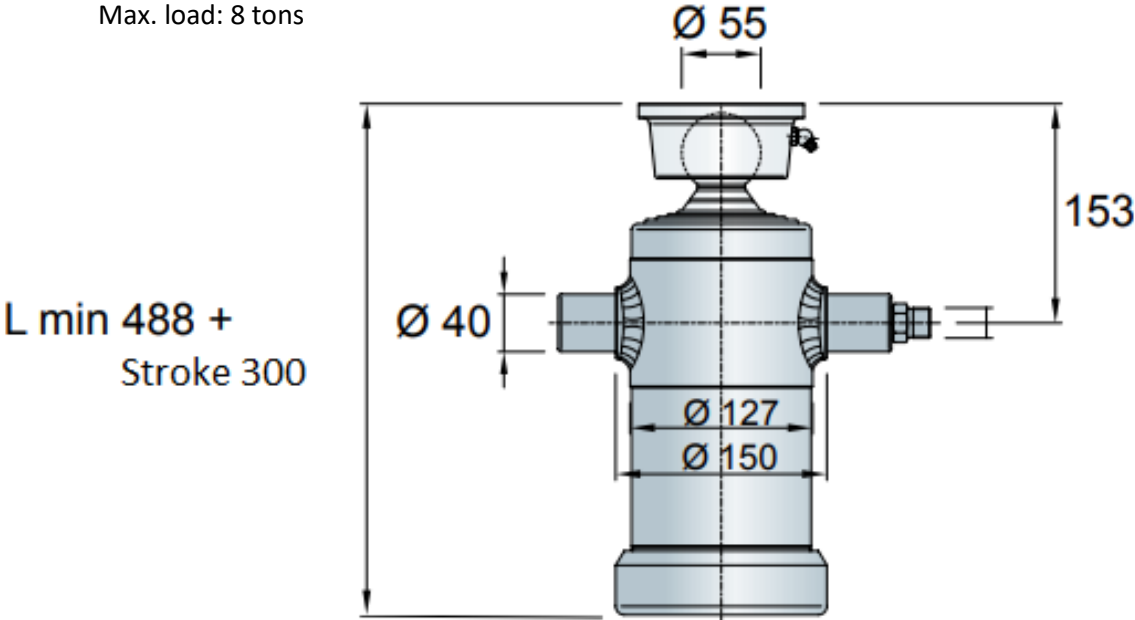


# VT127/4/1300 Telescopic cylinder

Steps: 4  
 Total stroke: 1300 mm  
 Max. pressure: 180 Bar  
 Max. load: 8 tons



L min 488 +  
 Stroke 300

